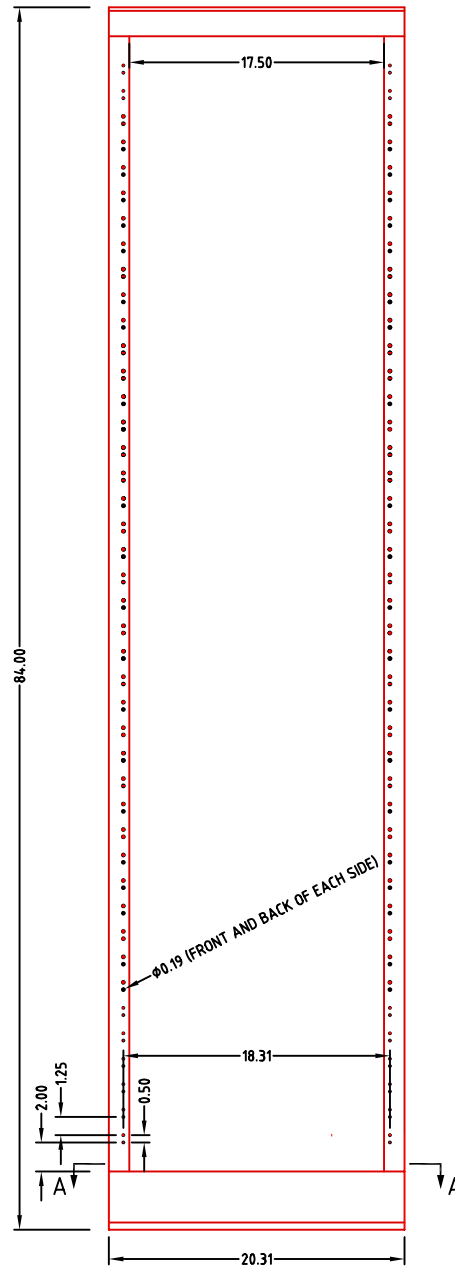
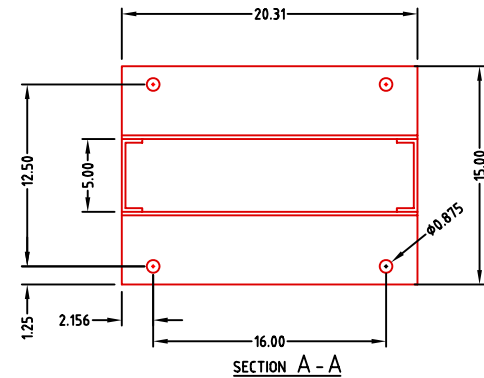


SIDE VIEW



FRONT VIEW



- NOTES:
- 1) WELDED STEEL CONSTRUCTION.
  - 2) FINISH: ASA 61 GRAY EPOXY POWDER COAT.

		<b>FLAMM</b> ENERGY DIVISION	
SCALE	DRAWN BY	APPROVED BY	
	P. DRISCOLL		
TITLE			
19" RELAY RACK ASSEMBLY, 84" HIGH			
DATE	REV	DRAWING NUMBER	REV.
04/11/11	1	19RR	1
RELAY RACK UPDATED			
07/12/10			
DESCRIPTION			